

A191 Moulder pushbutton and indicator

SN,FDY16

Modular Indicator & Pushbutton

IEC62019

Function	Color	Power	Order Code
Indicator	green	0.6W	SN-G
	red	0.6W	SN-R
	yellow	0.6W	SN-Y
Pushbutton	green	1A 250V	FDY16-G1
	green	3A 125V	FDY16-G3
	yellow	1A 250V	FDY16-Y1
	yellow	3A 125V	FDY16-Y3



■ SN
■ Indicator



■ FDY16
■ Pushbutton

Construction & Feature

- ◆ Low service duration, minimum power consumption
- ◆ Compact design in modular size
- ◆ Easy installation

Technical Data

- ◆ Rated voltage: 230V AC
- ◆ Rated frequency: 50/60Hz
- ◆ Colour: red, green, yellow
- ◆ Connection terminal: pillar terminal with clamp
- ◆ Connection capacity: rigid conductor 10mm²
- ◆ Installation:
 - ◇ On symmetrical DIN rail
 - ◇ Panel mounting

SN Modular Indicator

- ◆ Max power: 0.6W
- ◆ Illumination: LED
- ◆ Service duration: 30,000 hours

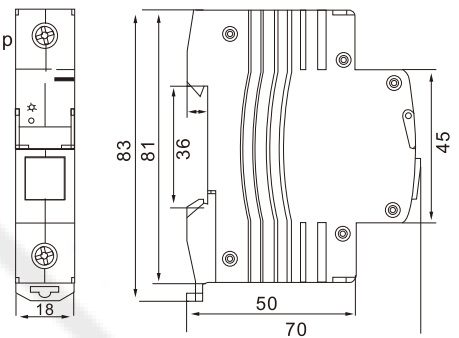
FDY16 Modular Pushbutton

- ◆ 1A 250V AC / 3A 125V AC
- ◆ Green / Red

Application

The Modular Signal Lamp is applicable to circuit with rated voltage 230V~ and frequency 50/60Hz for visual indication and signaling.

Overall & installation dimensions





GEL CONNECTING BOX MEGIC GEL

A
003

This document is property of CROP Technology Group Ltd. It is not allowed to send, duplicate or edit this document without written permission of CROP

A
003

CURRUGATED FLEXIBLE PIPE WITH CONNECTORS

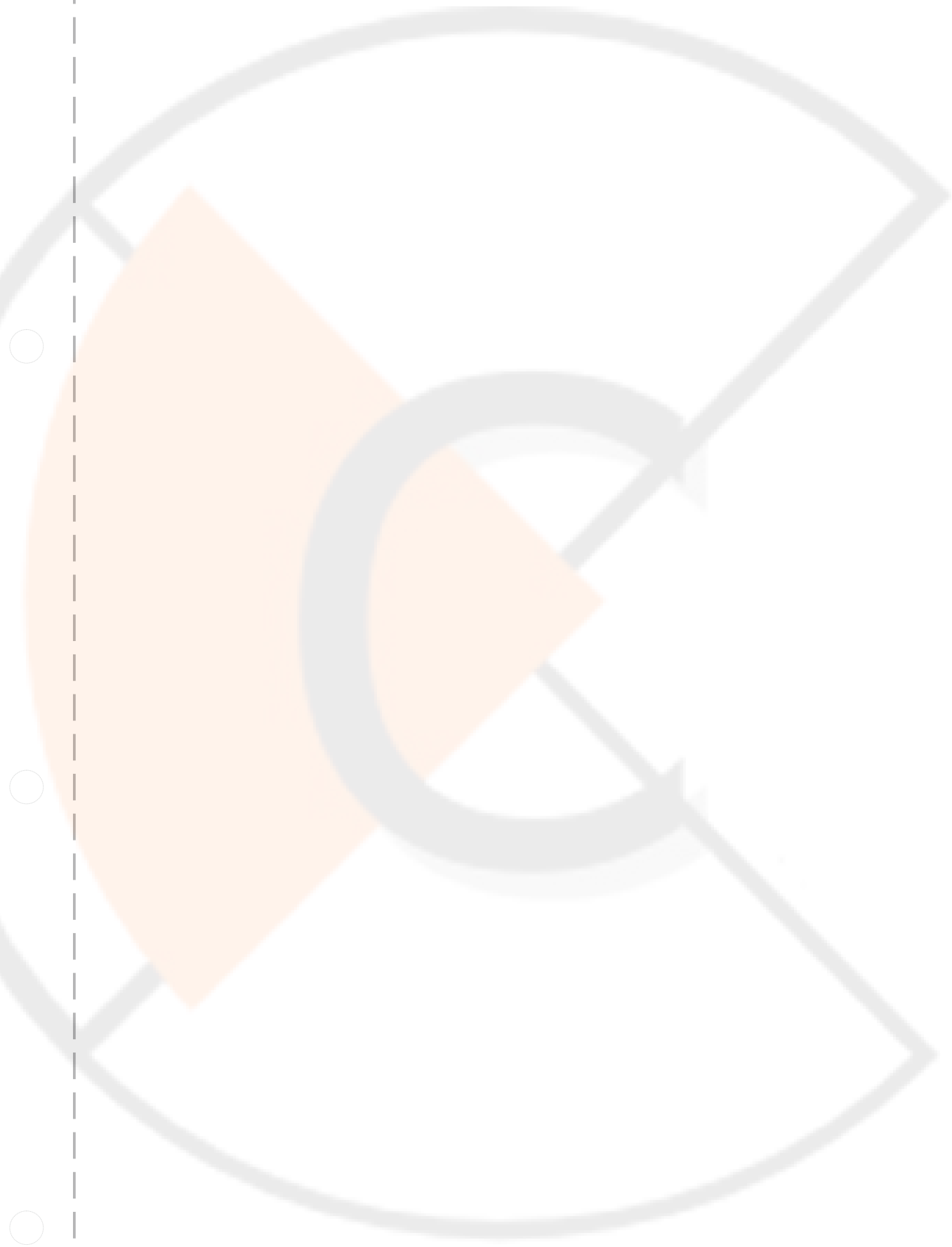


This document is property of CROP Technology Group Ltd. It is not allowed to send, duplicate or edit this document without written permission of CROP

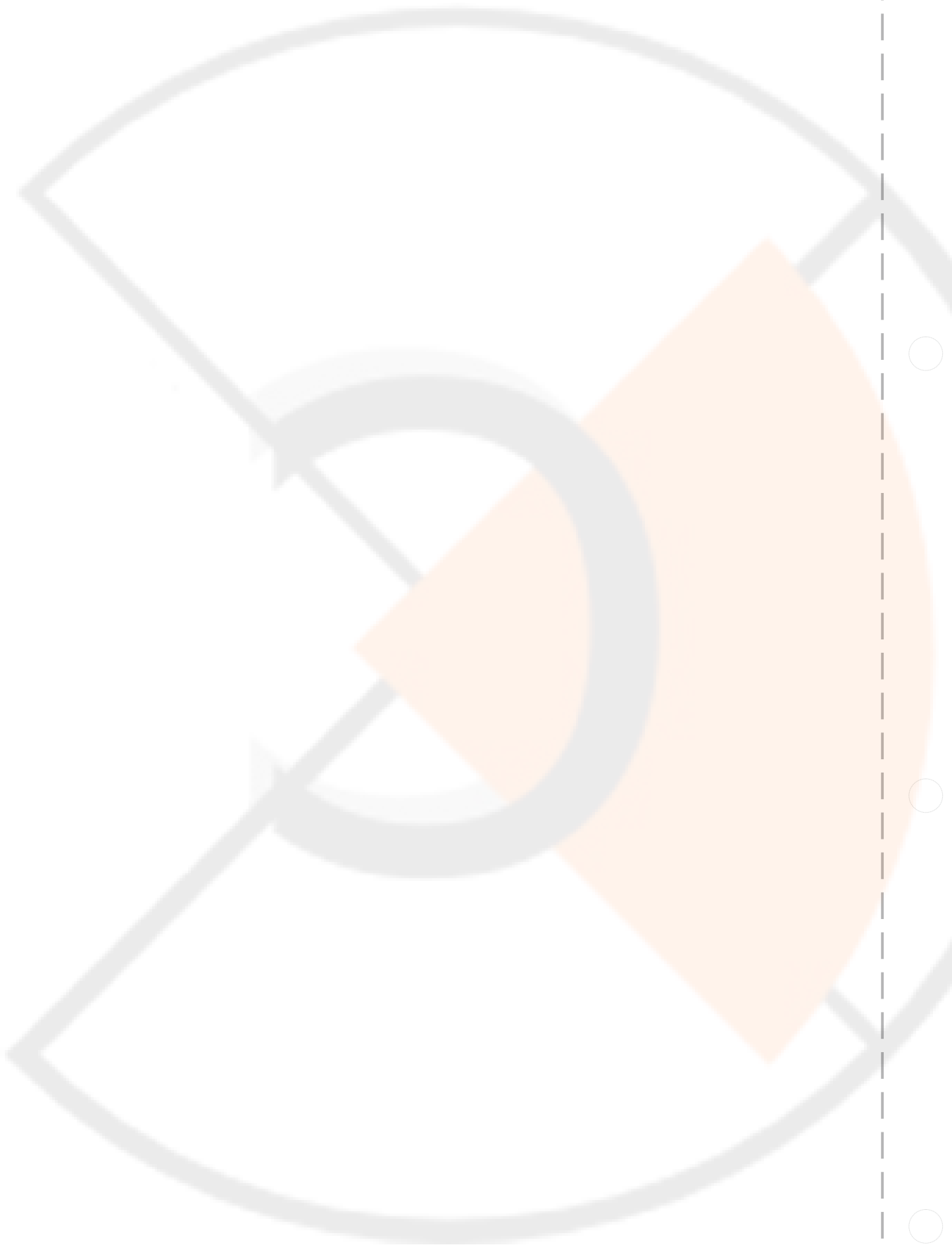


GEL CONNECTING BOX MEGIC GEL

A
003



CURRUGATED FLEXIBLE PIPE WITH CONNECTORS



This document is property of CROP Technology Group Ltd. It is not allowed to send, duplicate or edit this document without written permission of CROP